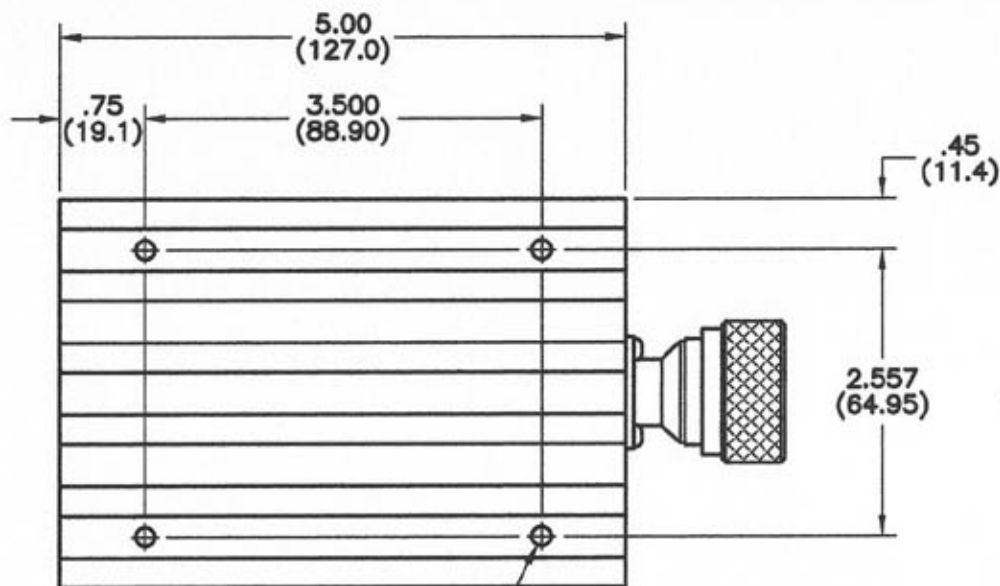
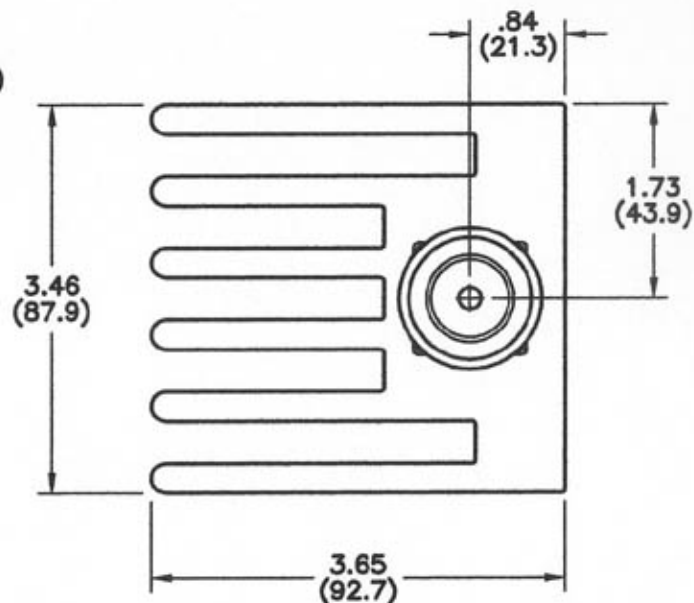


REVISIONS				
REV	ZONE	DESCRIPTION	DATE	BY ECO
A	4A	REVISED VSWR SPECIFICATIONS	12-1-08	GVC ---



.172(4.37) DIAMETER THRU
4 HOLES



SPECIFICATIONS

FREQUENCY RANGE - DC TO 6.0 GHz

IMPEDANCE - 50 OHMS

VSWR (DC - 2.0 GHz) - 1.20:1

(2.0 - 4.0 GHz) - 1.35:1

(4.0 - 6.0 GHz) - 1.40:1

INPUT POWER (AVG.) - 100 WATTS

(PEAK) - 2000 WATTS

OPERATING TEMPERATURE - -55°C TO +125°C

CONNECTOR - 7/16 DIN MALE

DIMENSIONS: INCHES
(MILLIMETERS)

TOLERANCES

DEC.XX ± .03 FRC ±

.XXX ± .010 ANG ±

MATERIAL

FINISH

THE INFORMATION CONTAINED IN THIS DOCUMENT IS THE PROPERTY OF MICROWAVE DEVICES, INC. AND IS PROPRIETARY. IT IS NOT TO BE COPIED OR USED FOR ANY PURPOSE OTHER THAN AS INSTRUCTED, IN WRITING, BY MICROWAVE DEVICES, INC.

SIGNATURES DATE

DR G.V.Cothren 8-28-08

CHK

APPD

APPD

Microwave DEVICES
(RF and Microwave Components)

OUTLINE, 6100L7-6
TERMINATION, 7/16 DIN

CAGE SIZE DRAWING NO.
60674 B 900770

DRAWING SCALE 1=1 SHEET 1 OF 1

CONTACT: MICROWAVE DEVICES - 1150 N. GRAHAM RD. DIMENSIONS ARE IN INCHES UNLESS OTHERWISE SPECIFIED.
(317) 736-8833 FRANKLIN, IN 46131